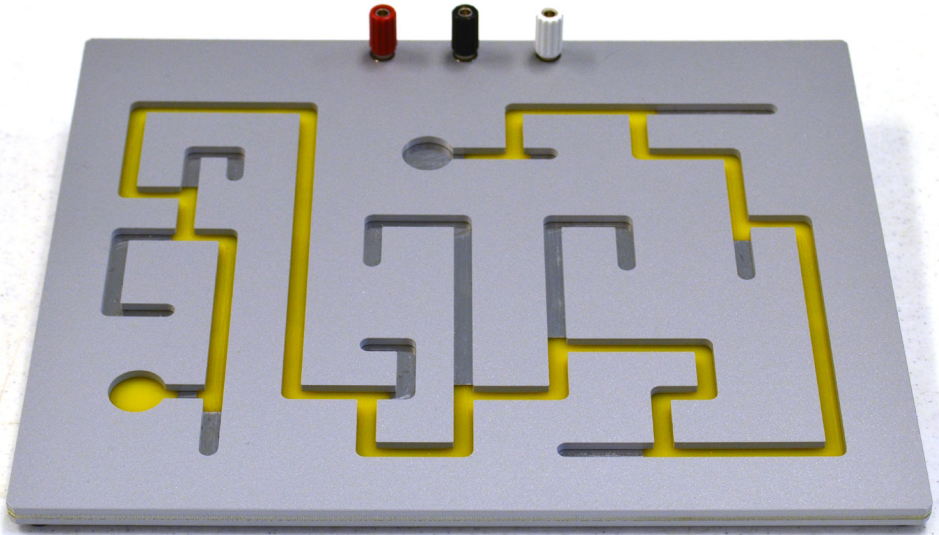


Auto Tally Maze User's Manual



3700 Sagamore Parkway North
Lafayette, IN 47904 USA
Tel: (765) 423-1505 • (800) 428-7545
Fax: (765) 423-4111
info@lafayetteinstrument.com
www.lafayetteinstrument.com

Description

This durable Kydex maze with printed circuit board backup has been designed so that the number of errors can be automatically counted as well as automatically timing the total time to complete the test.

Specifications

- Dimensions: 13 ¼" x 10 ½" x ½"
- Stylus: 5 ½" long x 1/8" dia.
- Track Width: ¼"

Recommended Accessories

- 1-54035A Multi-function Timer
- 2-58085 Patch Cord Set
- 1-33011 Blindfold Goggles

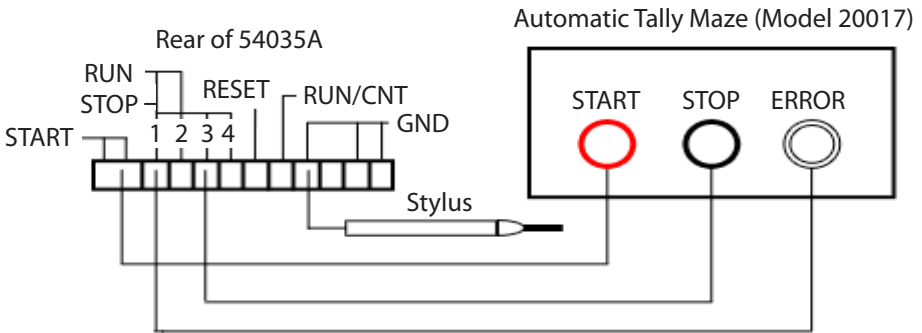
NOTE: If using counters and clocks other than the above, make certain that switching voltages are not in excess of 18V DE for safe operation of this device.

Operation

Wiring Details

1. Set the Multi-function Timer, Model 54035A, to "multiple" mode.
2. Connect the start jack from the maze to the START input on the Multi-function Timer.
3. Connect the stop jack from the maze to STOP3 on the timer.
4. Connect the error jack on the maze to RUN1 on the timer.
5. Connect the stylus from the maze to any of the GND inputs on the timer.

*With this setup, the main timer on the display will show the total time taken to complete the test, and timer 1 will show both the total number of errors and the total time in the error zones.



Test Procedure

1. Reset the 54035A Clock/Counter.
2. Blindfold the subject and place the stylus in the start circle. The subject should be instructed not to lift the stylus during the test.
3. As soon as the stylus crosses the start contact, the timer will begin timing.
4. Each time a cul-de-sac is entered, the timer will record an error.
5. When the finish circle is eventually entered, the timer will stop and the test may be terminated. Total time, total errors and total time in error zones should be recorded.

**If desired, the test may be repeated until an errorless trial is reached.

Suggested Studies

1. Human Maze Learning
 - a) Are human learning curves in the maze positively accelerated, negatively accelerated, or linear?
 - b) Which measure is a better index of learning, time or errors?
2. Retention and re-learning of the habit can be studied by re-testing the student a week or so later and determining the number of trials required to re-learn to the original criterion.
3. A comparison of spaced and massed practice is readily obtained by varying the inter-trial interval for different groups of subjects.
4. The serial-position curve can be analyzed by determining the number of trials required to eliminate each of the blind alleys. The usual finding will be that the blind alleys in the middle of the maze will be ones that are most difficult to eliminate.
5. Transfer of training from one maze to another can also be readily demonstrated with the addition of another Lafayette Maze.

References

- Andrews, T.G. (ed). *Methods of Psychology*. New York: John Wiley and Sons, Inc., 1948, Chapters 2 and 12.
- Baker, L.M. *General Experimental Psychology*. New York: Oxford University Press, 1960, Chapter 15.
- Bugelski, B.R. *A First Course in Experimental Psychology*. New York: Henry Holt and Company, 1951, Chapter 15.
- Deese, James W. *The Psychology of Learning*, 2nd edition. New York: McGraw-Hill Book Company, 1958, pages 151-60.
- Garrett, H.E. *Great Experiments in Psychology*, 3rd edition. New York: Appleton-Century-Crofts, Inc., 1951, Chapter 3.
- McGeoch, J.A. *The Psychology of Human Learning*. New York: Longmans, Green, 1942.
- Munn, N.L. *Psychology*. Boston: Houghton Mifflin, 1946, pp. 109-111.
- Munn, W.L. *Learning in Children* in L. Carmichael (ed.). *A Manual of Child Psychology*. New York: Wiley, 1946, pp. 380-396.
- Osgood, C.E. *Method and Theory in Experimental Psychology*. New York: Oxford University Press, 1953, Chapter 12.
- Underwood, B.J. *Experimental Psychology*. New York: Appleton-Century-Crofts, Inc., 1949, Chapter 12.
- Woodworth, R.S. and Schlosberg, Harold. *Experimental Psychology*, rev. edition. New York: Henry Holt and Company, 1954, Chapter 21.

Terms and Conditions

LIC Worldwide Headquarters

Toll-Free: (800) 428-7545 (USA only)

Phone: (765) 423-1505

Fax: (765) 423-4111

Email: sales@lafayetteinstrument.com

export@lafayetteinstrument.com (Outside the USA)

Mailing Address:

Lafayette Instrument Company

PO Box 5729

Lafayette, IN 47903, USA

Lafayette Instrument Europe:

Phone: +44 1509 817700

Fax: +44 1509 817701

Email: eusales@lafayetteinstrument.com

Phone, Fax, Email or Mail-in Orders

All orders need to be accompanied by a hard copy of your purchase order. All orders must include the following information:

- Quantity
- Part Number
- Description
- Your purchase order number or method of pre-payment
- Your tax status (include tax-exempt numbers)
- Shipping address for this order
- Billing address for the invoice we'll mail when this order is shipped
- Signature and typed name of person authorized to order these products
- Your telephone number
- Your email address
- Your FAX number

Domestic Terms

There is a \$50 minimum order. Open accounts can be extended to most recognized businesses. Net amount due 30 days from the date of shipment unless otherwise specified by us. Enclose payment with the order; charge with VISA, MasterCard, American Express, or pay COD. We must have a hard copy of your purchase order by mail, E-mail or fax. Students, individuals and private companies may call for a credit application.

International Payment Information

There is a \$50 minimum order. Payment must be made in advance by draft drawn on a major US bank; wire transfers to our account; charge with VISA, MasterCard, American Express, or confirmed irrevocable letter of credit. Proforma invoices will be provided upon request.

Exports

If ordering instrumentation for use outside the USA, please specify the country of ultimate destination, as well as the power requirements (110V/60Hz or 220V/50Hz). Some model numbers for 220V/50Hz will have a "C" suffix.

Quotations

Quotations are supplied upon request. Written quotations will include the price of goods, cost of shipping and handling, if requested, and estimated delivery time frame. Quotations are good for 30 days, unless otherwise noted. Following that time, prices are subject to change and will be re-quoted at your request.

Cancellations

Orders for custom products, custom assemblies or instruments built to customer specifications will be subject to a cancellation penalty of 100%. Payment for up to 100% of the invoice value of custom products may be required in advance. Cancellation for a standard Lafayette Instrument manufactured product once the product has been shipped will normally be assessed a charge of 25% of the invoice value, plus shipping charges. Resell items, like custom products, will be subject to a cancellation penalty of 100%.

Exchanges and Refunds

Please see the cancellation penalty as described above. No item may be returned without prior authorization of Lafayette Instrument Company and a completed Return Form. A copy of the Return Form or your assigned Return # (you will receive this via email after submitting the form) must be included with the returned goods. The merchandise should be packed well and fully insured. Unopened merchandise may be returned prepaid within thirty (30) days after receipt of the item and in the original shipping carton. Collect shipments will not be accepted. Returned products must be in saleable condition, and credit is subject to inspection of the merchandise.

Repairs

Instrumentation may not be returned without prior authorization by Lafayette Instrument Company and a completed Return Form. When you

complete the Form, or call Lafayette Instrument, you will receive a Return #. Your Return # number will be good for 30 days. Address the shipment to:

Lafayette Instrument Company
3700 Sagamore Parkway North
Lafayette, IN 47904, USA.

Shipments cannot be received at the LIC PO Box. Items should be packed well, insured for full value, and returned along with a copy of the Return Form or the Return #. An estimate of repair will be given prior to completion ONLY if requested in an enclosed cover letter. We must have a completed purchase order by mail or fax, or repair work cannot commence for non-warranty repairs.

Damaged Goods

Damaged instrumentation should not be returned to Lafayette Instrument prior to a thorough inspection. If a shipment arrives damaged, note damage on delivery bill and have the driver sign it to acknowledge the damage. Contact the delivery service, and they will file an insurance claim. If damage is not detected at the time of delivery, contact the carrier/shipper and request an inspection within 10 days of the original delivery. Please call the Lafayette Instrument Customer Service Department for repair or replacement of the damaged merchandise.

Limited Warranty

Lafayette Instrument Company warrants equipment manufactured by the company to be free of defects in material and workmanship for a period of one year from the date of shipment, except as provided hereinafter. The original manufacturer's warranty will be honored by Lafayette Instrument for items not manufactured by Lafayette Instrument Company, i.e. resell items. This assumes normal usage under commonly accepted operating parameters and excludes consumable products.

Warranty period for repairs or used instrumentation purchased from Lafayette Instrument is 90 days. Lafayette Instrument Company agrees either to repair or replace, at its sole option and free of part charges to the customer, instrumentation which, under proper and normal conditions of use, proves to be defective within the warranty period. Warranty for any parts of such repaired or replaced instrumentation shall be covered under the same limited warranty and shall have a warranty period of 90 days from the date of shipment or the remainder of the original warranty period whichever is greater. This warranty and remedy are given expressly and in lieu of all other warranties, expressed or implied, of merchantability or fitness for a particular purpose and constitutes the only warranty made by Lafayette Instrument Company.

Lafayette Instrument Company neither assumes nor authorizes any person to assume for it any other liability in connection with the sale, installation, service or use of its instrumentation. Lafayette Instrument Company shall have no liability whatsoever for special, consequential, or punitive damages of any kind from any cause arising out of the sale, installation, service or use of its instrumentation. All products manufactured by Lafayette Instrument Company are tested and inspected prior to shipment. Upon prompt notification by the Customer, Lafayette Instrument Company will correct any defect in warranted equipment of its manufacture either, at its option, by return of the item to the factory, or shipment of a repaired or replacement part. Lafayette Instrument Company will not be obliged, however, to replace or repair any piece of equipment, which has been abused, improperly installed, altered, damaged, or repaired by others. Defects in equipment do not include decomposition, wear, or damage by chemical action or corrosion, or damage incurred during shipment.

Limited Obligations Covered by this Warranty

1. In the case of instruments not of Lafayette Instrument Company manufacture, the original manufacturer's warranty applies.
2. Shipping charges under warranty are covered only in one direction. The customer is responsible for shipping charges to the factory if return of the part is required.
3. This warranty does not cover damage to components due to improper installation by the customer.
4. Consumable and/or expendable items, including but not limited to electrodes, lights, batteries, fuses, O-rings, gaskets, and tubing, are excluded from warranty.
5. Failure by the customer to perform normal and reasonable maintenance on instruments will void warranty claims.
6. If the original invoice for the instrument is issued to a company that is not the company of the end user, and not an authorized Lafayette Instrument Company distributor, then all requests for warranty must be processed through the company that sold the product to the end user, and not directly to Lafayette Instrument Company.

Export License

The U.S. Department of Commerce requires an export license for any polygraph system shipment with an ULTIMATE destination other than: Australia, Japan, New Zealand or any NATO Member Countries. It is against U.S. law to ship a Polygraph system to any other country without an export license. If the ultimate destination is not one of the above listed countries, contact us for the required license application forms.